



CASCADE AUDIO ENGINEERING  
WWW.CASCADEAUDIO.COM

## SB-Model 3D

Category: Soundproof Doors

# Technical Data Sheet



## SB-Model 3D SOUNDPROOF INTERIOR DOORS

- Low cost high performance
- STC ratings up to 56
- Products tested per ASTM E-90
- Custom manufactured acoustic door to any size specifications
- Appx. 300 pound door assembly
- 2-3/4" 5 Layer door assembly
- Comes pre-hung and assembled
- Adjustable neoprene jams and seals
- Ready to stain to match your decor
- Best performance wood finished door assembly available
- Automatic sill
- Heavy duty hinges (4)

### DOOR AND FRAME FEATURES:

**STC Ratings:** SB-Model 3D soundproof doors are available with ratings up to STC-56, and acoustical windows up to STC-56.

**Testing:** SB-Model 3D door products are tested in accordance with the most recent ASTM E-90 standards at accredited Acoustical Laboratories.

**Frame Configuration:** In addition to our standard frame designs, we can engineer special frame profiles to complement wall construction and architectural style.

**Services:** CAE offers various installation services and will provide the necessary shop drawings, certification of test results and assistance with compliance for all industry standards.

**Guarantee:** SB-Model 3D door products are guaranteed to be free of defects in workmanship and quality for a period of two years.

### DOOR SPECIFIC FEATURES:

**Configuration:** Doors are available in a flush design or with vision elites and as single or pairs of hinged doors.

**Sizes:** Select from standard, or custom pairs as large as 6' w x 8' h.

**Hardware:** Door, frame, trim, handle, hinges, perimeter sound seals and door bottom are supplied as part of the tested assembly. Mortise locks available.

**Finishes:** Oak ready to stain. Optional maple, cherry, birch.

**Hardware:** Nickel or brass finishes

#### Required Installation kit Includes:

- 2 Packs Shims
- 4 Heavy Duty Jamb Screws
- 36 lf. Backer Rod
- 1 Tube Acoustical Sealant

*Continued on next page...*



CASCADE AUDIO ENGINEERING  
WWW.CASCADEAUDIO.COM

# SB-Model 3D

Category: Soundproof Doors

## Technical Data Sheet



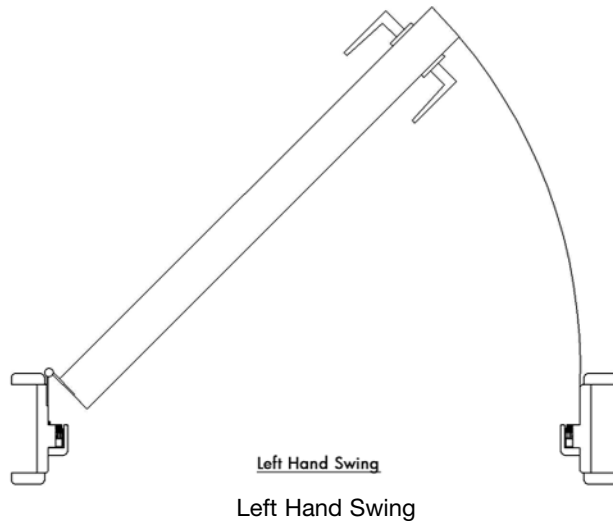
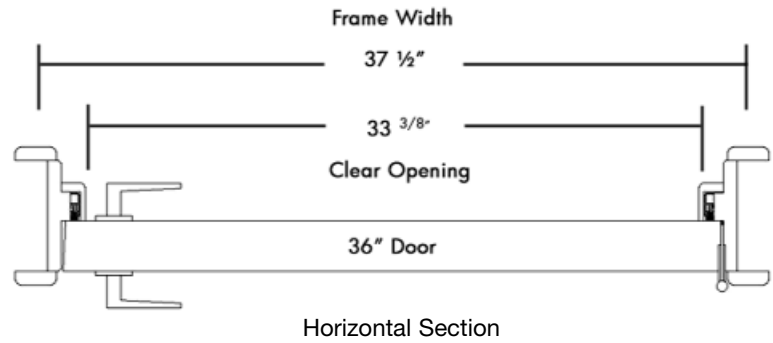
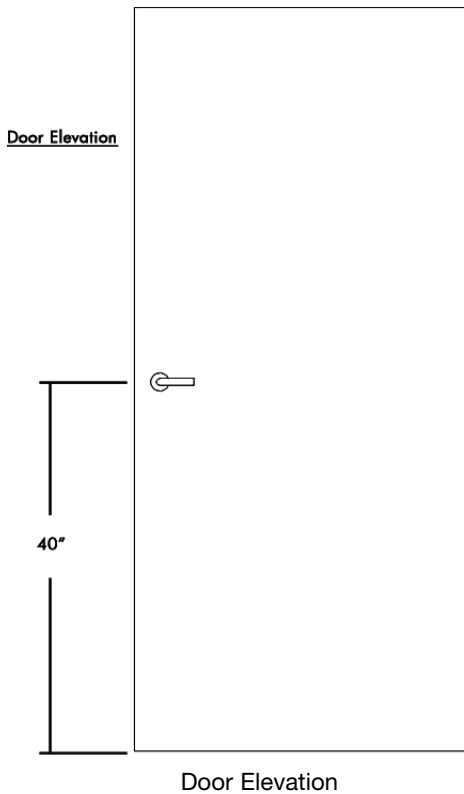
2-3/4" Door Thickness



(4) Heavy Duty Hinges



Exposed Jam Kit with Wood Caps



Continued on next page...

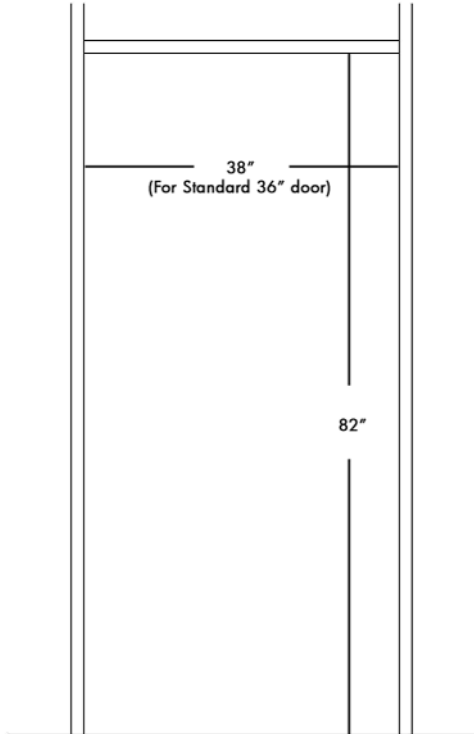


CASCADE AUDIO ENGINEERING  
WWW.CASCADEAUDIO.COM

# SB-Model 3D

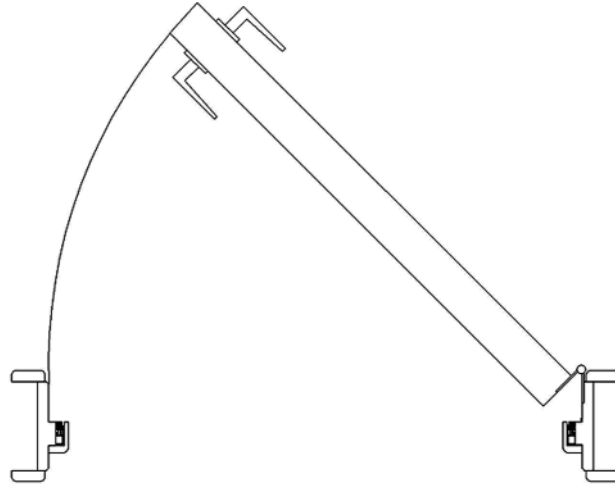
Category: Soundproof Doors

## Technical Data Sheet

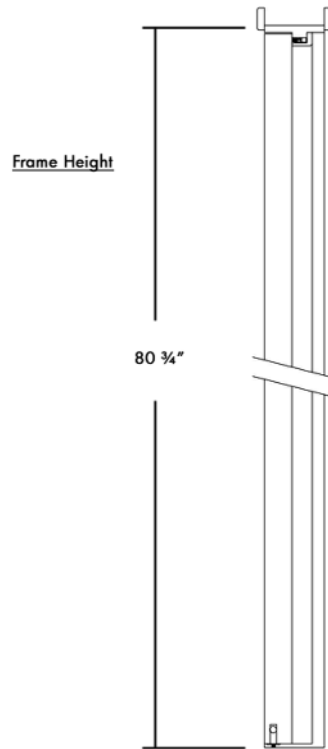


Rough Opening Dimensions 36" X 80" Door

Rough Opening



Right Hand Swing



Frame Height

80 3/4"

Frame Height